

CP-108

Security Control Panel

SUREN



User Friendly

- Simple LCD Menu Control
- Easy Quick Arm and Home Arm
- Handy Wireless Remote Arm/disarm
- 3 Emergency Keys
- 16 4-digit User Codes
- Test Modes
 - Walk test
 - Siren/Strobe test
 - Dialer test

Accessories

- Wireless receiver
 - 8 zones
 - Remote control
- Wireless remote
 - Home arm
 - Away arm
 - Panic
 - Disarm

Complete System

- 8 zones each fully programmable wired or wireless
- 3 emergency keys reporting to separate “Soft Zones”
- Siren, strobe and auxiliary outputs

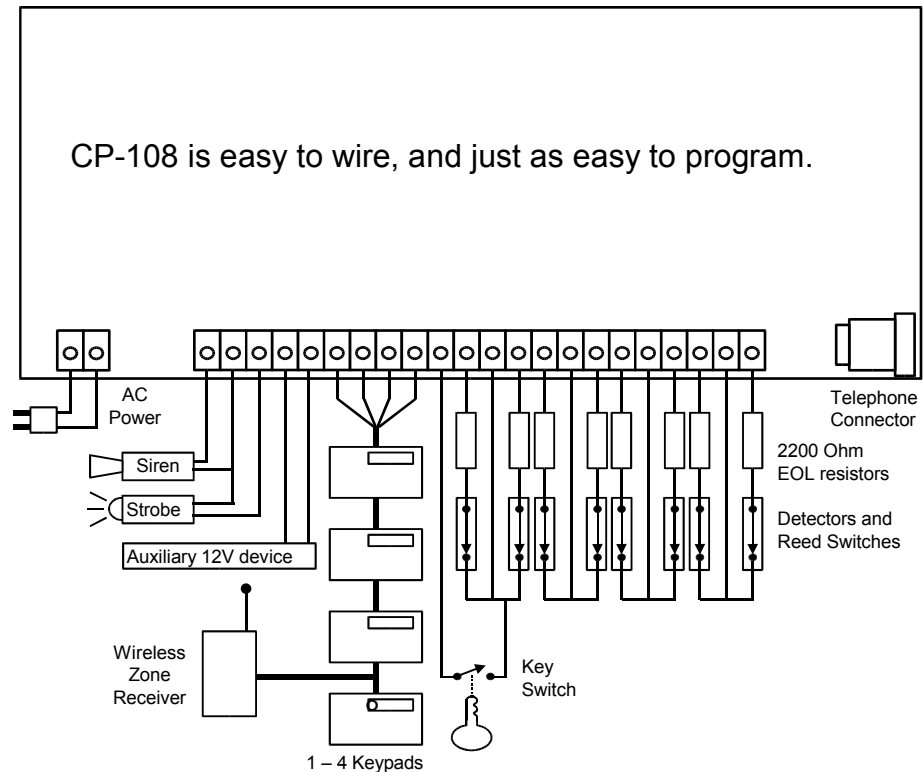
Reliable Reporting

- Dual, Split, or Back-up Reporting
- End of line monitoring
- Telephone line cut monitoring
- Built-in on-board modem
- ADEMCO CID and SMS message formats
- Alarm memory
- Cover and Wall Tamper Switches (optional)

Easy Installation

- Easy installer training
- 6-digit installer code
- Simple 4-wire power/bus receiver connection supports up to 8 wireless zones
- Easy user training – virtually no user support needed after installation
- Test modes
 - Walk test
 - Siren/Strobe test
 - Dialer test

Simple Wiring Installation



Specifications

<u>Power Supply Input</u>	Power Supply Voltage: Power Requirement:	16.5 Vac 25 VA
<u>Power Outputs</u>	Auxiliary power output: Strobe (switched) output: Siren (switched) output: Auxiliary (switched) output:	12 V nominal @ 0.7 A 12 V nominal @ 0.7 A 12 V nominal @ 0.7 A 12 V nominal @ 0.2 A
<u>Environmental</u>	Temperature Range:	-10°C to +55°C
<u>Hardware</u>	Cabinet material: Cabinet dimensions:	Zinc-plated CRS 0.8 mm 255 x 230 x 67mm (H x W x D)
<u>Control Bus</u>	Bus type: Bus capacity:	4-wire: power, GND, bus (+) bus (-) 1 wireless zone receiver + 4 keypads
<u>Contact Zones</u>	8 selectable wired or wireless Wired zones End-of-line resistor: Wireless zones	Relay contact-activated 2200 Ohm Wireless receiver-activated
<u>Keypad Zones</u>	3 Activation keys:	PANIC, MEDICAL, FIRE